

# MCS

INDUSTRIAL INKJET TECHNOLOGY

## MCS OSPREY XT INKJET SYSTEMS

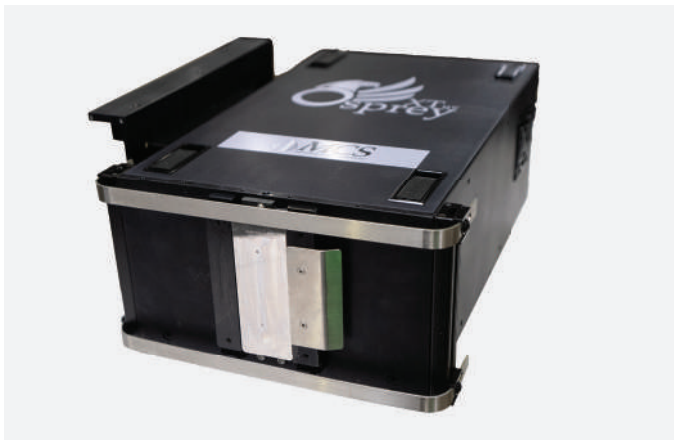
Models 26 and 72



# MCS Osprey XT Inkjet Systems

The Osprey XT inkjet is a low maintenance recirculating Piezo inkjet technology designed to print on bindery and lug transports. The only Piezo solution designed to print on bindery and lug transports.

- Up to 6mm throw distance
- Small 5.6" wide footprint, great for lug base systems
- Raptor Quality Optimizer for legacy bindery/ mailing bases
- Prints readable address block on poor quality bases
- Low maintenance recirculating inkjet technology
- Reduces maintenance and down time
- 2.55" print area
- Industry leading largest drop size up to 72pl



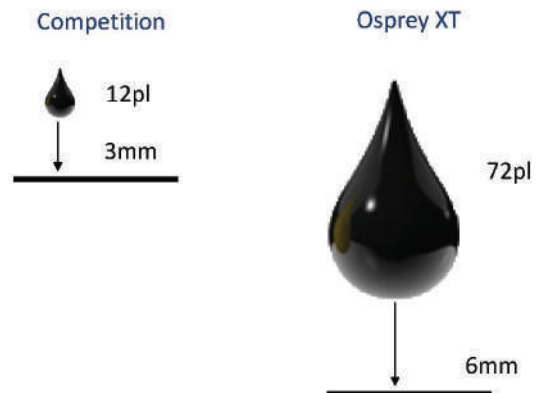
## Integrated product guides

- Designed for legacy lug base systems.
- Holds pieces down while avoiding base lugs

## Extended Throw Distance

## Multiple Ink Options

- All-purpose UV Black Ink for all conventional UV curing systems
- LED Black UV ink for fast curing utilizing LED curing systems
- White UV Ink - high-capacity white ink available for plastic cards



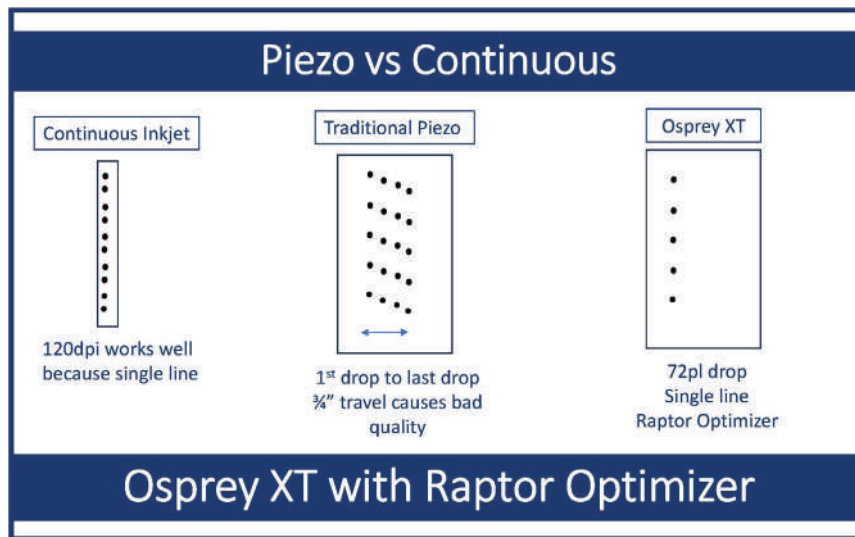


## Modular Inkjet Cabinet

- Industrial cabinet design with casters
- Organization of electronics
- Quick disconnect
- Print head storage

## Raptor Quality Optimizer

- Optimizes print quality on legacy mailing bases.
- Prints readable address block on poor quality bases
- Dramatically reduce stabilization issues common on lugged, chain and variable thickness machines.



### Place Inkjet without optimizer

#BXNCTCC \*\*\* AUTO\*\*SCH 5-DIGIT 90048 FSD  
 JOHN Q PUBLIC  
 1234 MAIN STREET  
 AGAWAM MA 01001-1234

*(Note: In the original image, 'SCH 5-DIGIT' and the barcode are circled in red to indicate poor quality.)*

### Place Inkjet with optimizer

#BXNCTCC \*\*\* AUTO\*\*SCH 5-DIGIT 90048 FSD  
 JOHN Q PUBLIC  
 1234 MAIN STREET  
 AGAWAM MA 01001-1234

*(Note: In the original image, the barcode is clear and sharp.)*

## Raptor Controller Software

- Industry leading Raptor software
- Quality Optimizer
- Supports any combination of MCS inkjet technology
- Easy job set up

# MCS Osprey XT Inkjet Systems

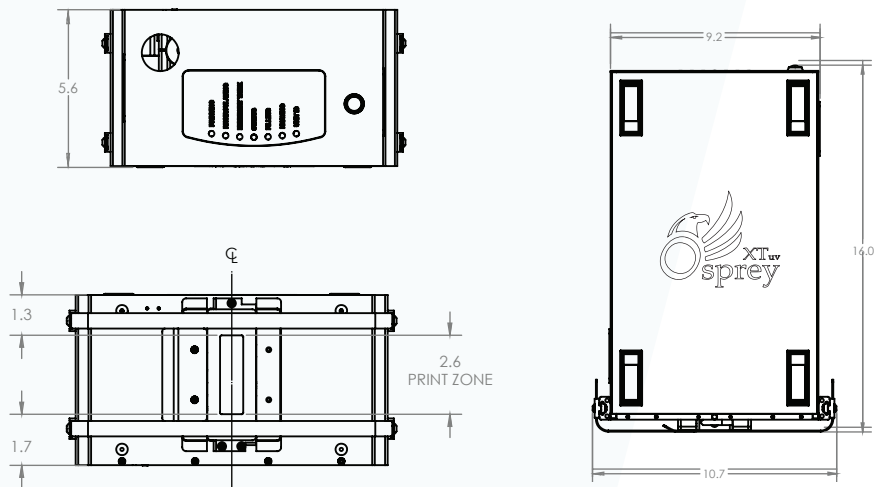
Barcodes Supported		
Data Matrix	Coda bar/NW-7	EAN-8
QR Code	Code 93	EAN-13
PDF 417	3 of 5	UPC-e
3 of 9	UPC A	
Interleaved 2 of 5	Australian AUS4-State	
Code 128	EAN-13	
GS1 Databar	Japanese JPN4-State	
USPS IMB Code	United Kingdom Royal Mail Mark	

Head Configurations	
2.55"	Up to 10 heads from 1 PC

Ink Options
Black UV
White UV
Custom Colors Available

Specifications	Osprey 26	Osprey 72
Resolution FPM		
600x400	250	167
400x400	375	250
300x400	500	333
Drop Size	26 pl	72 pl

Software	
Operating System	Windows 10
Communications	Gigabit Ethernet
Optional	<ul style="list-style-type: none"> <li>• MyFont - Randomized Handwriting Font</li> <li>• PDF Workflow</li> </ul>



**Corporate Office :** 8101 Cessna Ave, Gaithersburg, MD 20879  
**Midwest Office :** 694 Veterans Parkway, Unit H, Bolingbrook, IL 60440  
**Call 800-728-0154** [www.mcspro.com](http://www.mcspro.com)